

# Eclipse BV-Pak

## Packaged Butterfly Valve and Actuator

Data sheet Edition 09.15

Version 2



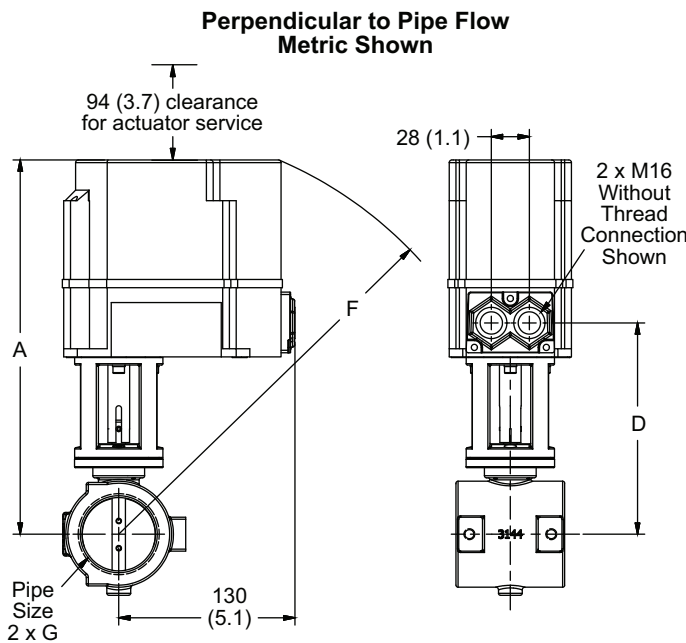
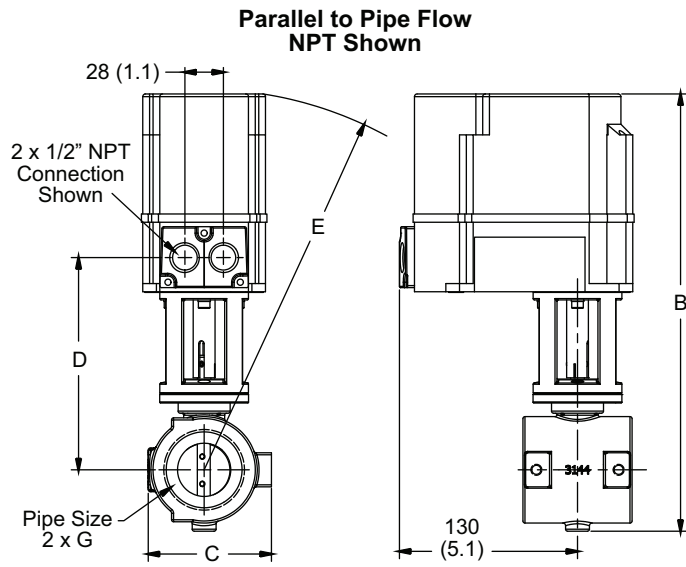
The Eclipse BV-Pak is a packaged solution that makes ordering simple and installation efficient. It is typically used for the regulation of air or fuel-gas in combustion systems where it serves as the control element in a temperature control loop. It does not provide tight shut-off. The assembly includes a Siemens SQM4 series actuator mounted to a butterfly valve (catalog number 720) with a support, fasteners and a coupling.

### **Installation Notes**

- Make sure the area is clean and prevent contaminants from entering the valve and piping.
- Take steps to prevent dropping the assembly.
- Allow space for removing the actuator cover and accessing wiring.
- Provide support for the piping and assembly in accordance with local codes.
- Do not use the actuator or bracket for holding or turning points.
- Hold the BV-Pak assembly stationary with a pipe wrench at the valve body end nearest to the pipe while turning the pipe into the threads.
- Refer to Siemens SQM4 series Technical Instructions for wiring and setting the actuator.

Parameter	Specification
<b>Pipe Size</b>	1/2 to 4 inch
<b>Thread Type</b>	NPT or Rc
<b>Flow Port</b>	Full, Reduced, or High-Drop
<b>Disc Shutter</b>	75° Beveled or 360° Non-Beveled
<b>Power Supply</b>	120VAC or 230VAC, +10% / -15%, 50/60Hz
<b>Drive Signal</b>	Electronic (4-20mA, 0-10V, Pot), 3-Position Step, or 2 Position
<b>Cable Entry</b>	2x M16 or 2x 1/2 inch NPT
<b>Orientation</b>	Perpendicular or Parallel to pipe
<b>Manual Language</b>	English, German, Spanish, or Mandarin
<b>Environment</b>	IP66 / NEMA 4
<b>Temperature</b>	-20 to +60°C (0 to 140°F)
<i>Refer to Datasheet 720 for more butterfly valve specification details.</i>	

## Dimensions and Weights



Dimensions in mm (inches)								
Model	A	B	C	D	E	F	G	H
02	260 (10.2)	285 (11.2)	52 (2.1)	140 (5.5)	263 (10.4)	285 (11.2)	1/2" NPT	Rc 1/2
03	260 (10.2)	285 (11.2)	52 (2.1)	140 (5.5)	263 (10.4)	285 (11.2)	3/4" NPT	Rc 3/4
04	262 (10.3)	292 (11.5)	60 (2.4)	142 (5.6)	265 (10.4)	287 (11.3)	1" NPT	Rc 1
05	265 (10.4)	298 (11.7)	68 (2.7)	145 (5.7)	268 (10.5)	290 (11.4)	1-1/4" NPT	Rc 1-1/4
06	268 (10.5)	305 (12.0)	74 (2.9)	148 (5.8)	271 (10.7)	292 (11.5)	1-1/2" NPT	Rc 1-1/2
08	276 (10.8)	321 (12.6)	90 (3.6)	156 (6.1)	279 (11.0)	300 (11.8)	2" NPT	Rc 2
10	286 (11.2)	336 (13.2)	107 (4.2)	166 (6.5)	289 (11.4)	309 (12.2)	2-1/2" NPT	Rc 2-1/2
12	292 (11.5)	349 (13.7)	120 (4.7)	172 (6.8)	295 (11.6)	314 (12.4)	3" NPT	Rc 3
16	305 (12.0)	376 (14.8)	147 (5.8)	185 (7.3)	308 (12.1)	327 (12.9)	4" NPT	Rc 4

Model	Weight kg (lbs)
02	3.4 (7.5)
03	3.4 (7.5)
04	3.4 (7.5)
05	3.5 (7.7)
06	3.6 (7.9)
08	4.0 (8.9)
10	5.3 (11.8)
12	5.8 (12.8)
16	7.8 (17.2)

Size	NPT			Rc		
	Reduced Port 75°	Full Port 360°	High Port 360°	Reduced Port 75°	Full Port 360°	High Port 360°
0.5"	-	x	x	-	x	x
0.75"	-	x	x	-	x	x
1"	x	x	x	x	x	x
1.25"	x	x	-	-	-	-
1.5"	x	x	-	x	x	-
2"	x	x	-	x	x	-
2.5"	x	x	-	x	x	-
3"	x	x	-	x	x	-
4"	x	x	-	x	x	-